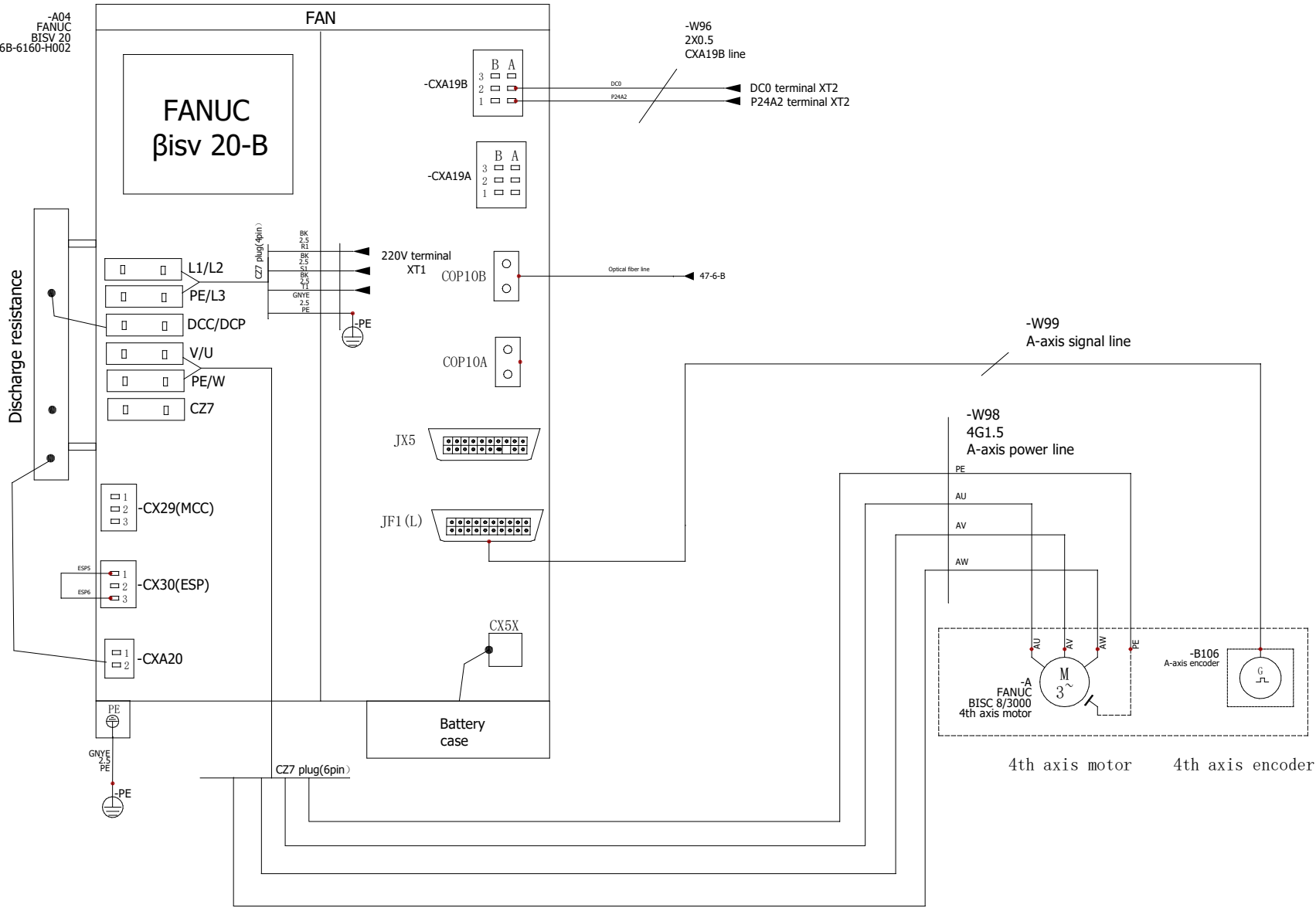


-A04  
FANUC  
BISV 20  
A06B-6160-H002



Binding Line

Design	LiangJieBin	Product name	Vertical machining center
Review	YuanWeiHui	Product number	T-V856/1055/1060/1165/1270 Series
Standard		Drawing number	9001
Craft			
Mark	Number	Change content	Name Date Approve FanJun

Page description					
4th axis drive control (option)					
Page number	53	Formulating department	Electrical Department	Picture frame	A3
Total pages	63	Version	A03	Proportion	1:1

**Talkan**

Shen Zhen Create Century Machinery Co.Ltd

